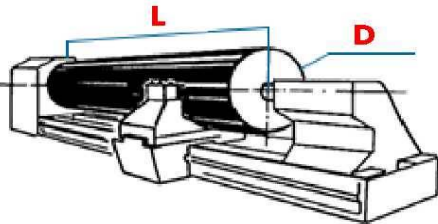
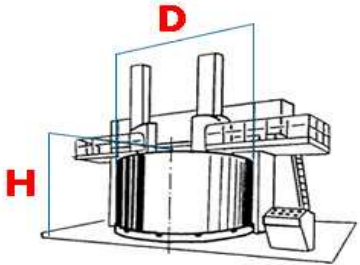
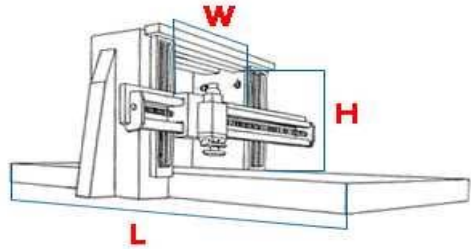


# Canyon Industries, Inc.

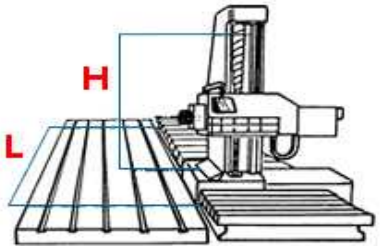
## Maximum Machine Capacity Chart

All Canyon components are manufactured in the USA.


### Conventional Machinery

Horizontal Turning Capacity			Vertical Turning Capacity				Horizontal Milling-Boring Capacity				
											
Max Diam D	Max Lengh L	Max Weight	Max Diam D	Max Height H	Max Weight	Live Spindle	Max Lengh L	Max Height H	Max Width W	Max Weight	Live Spindle
1,270 mm 50 inches	6,700 mm 264 inches	15 tons	6,100 mm 240 inches	2,450 mm 96.5 inches	15 tons	No	10,973 mm 432 inches	4,877 mm 192 inches	4,877 mm 192 inches	25 tons	Yes

### CNC Machinery

CNC Milling Machine					
					
Max Lengh L	Max Height H	Max Weight (table)	Rotary Table	Ram (extension)	Spindle Size
10,973 mm 432 inches	4,877 mm 192 inches	25 tons	Yes	1,200 mm 47.25 inches	CAT 50

### Hoists

Lifting Capacity

Max Weight
25 tons